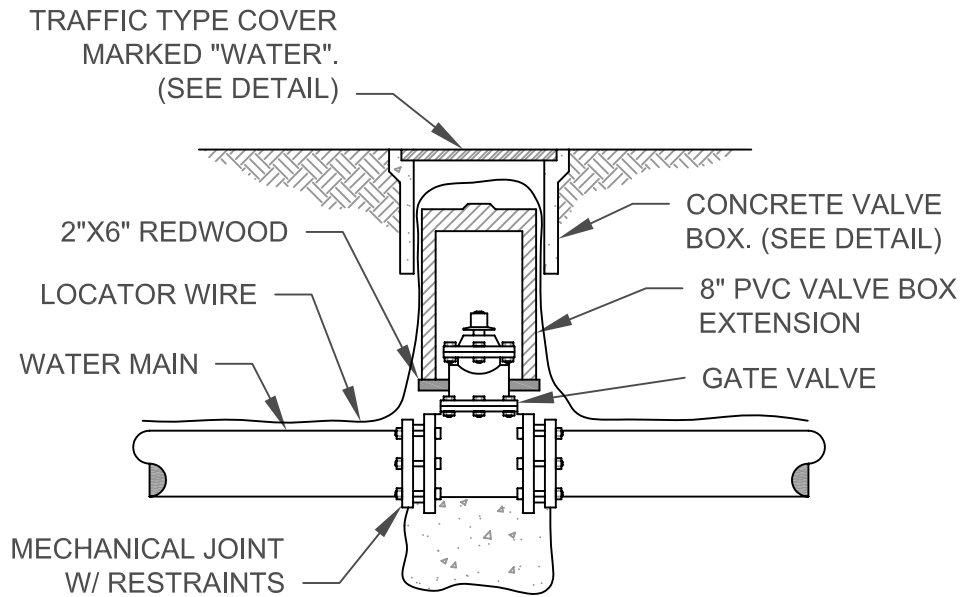
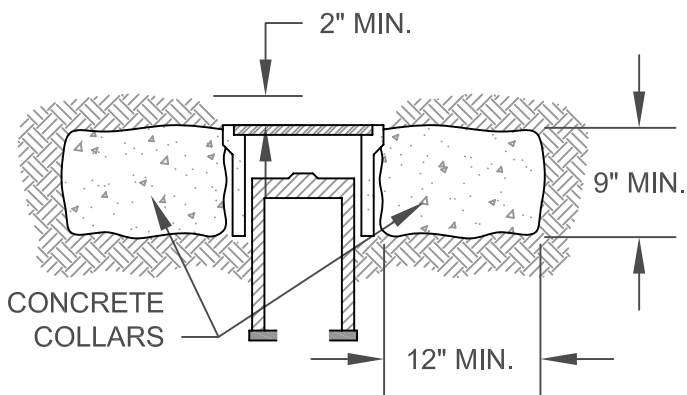


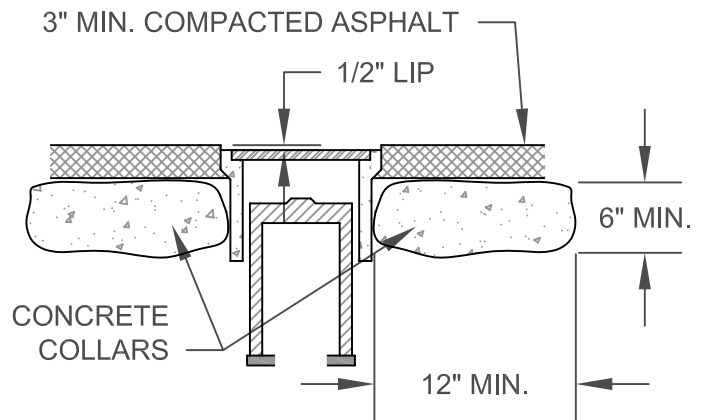
# TYPICAL SECTION



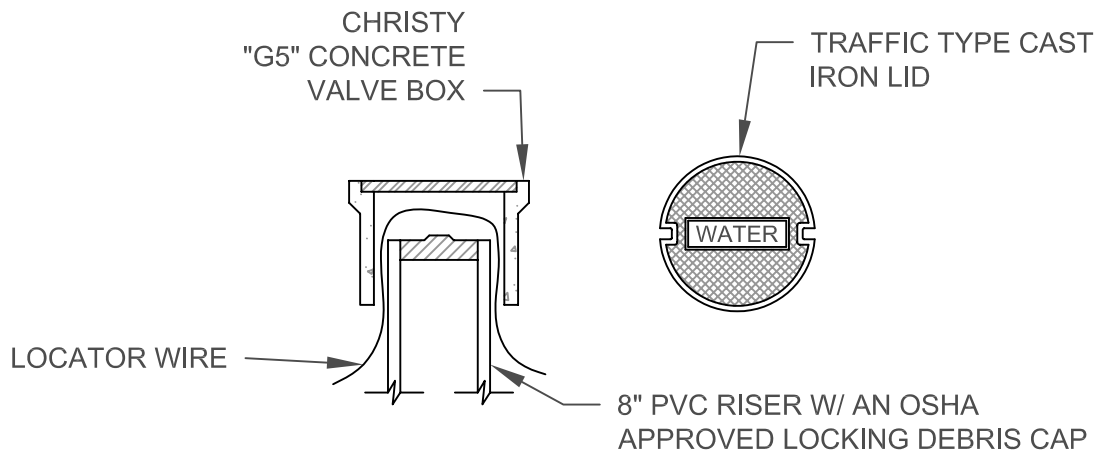
## UNPAVED AREAS



## PAVEMENT AREAS



## DETAIL



**NORTHSTAR C.S.D.**

WATER MAIN VALVE  
ASSEMBLY DETAIL

908 NORTHSTAR DR. TRUCKEE, CA

DATE: APR. 2003

DRAWN: JW

APPROVED: MS

SCALE: NONE

DIR.: WATER

DWG. FILE: WO-10

FIGURE: **10**